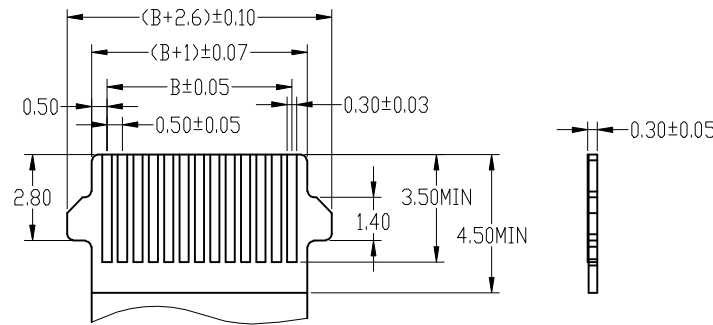
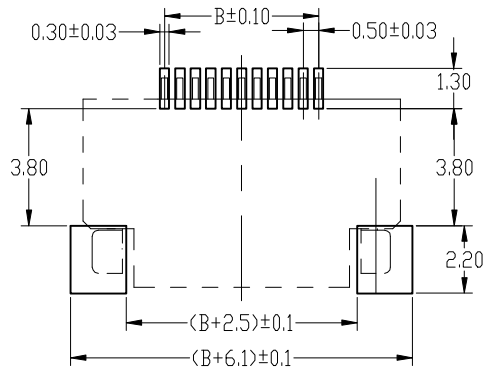
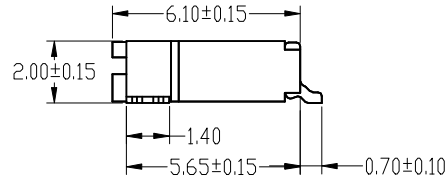
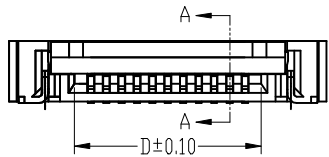


SECTION A-A



FPC/FFC Insert Direction  
Recommended P.C.B Layout

Recommended FPC Dimension

NOTES:  
1. MATERIAL:  
HOUSING: HIGHT-TEMP PLASTIC,UL 94-V0,COLOR:NATURE;  
COVER: HIGHT-TEMP PLASTIC,UL 94-V0,COLOR:BLACK;  
CONTACT: Phosphor Bronze;  
LEG: Brass;  
2. PLATING:  
CONTACT: GOLD FLASH PLATED ON CONTACT AND  
SOLDDR AREA,50u" MIN NICKEL UNDER PLATING OVERALL  
LEG: MATT TIN PLATED ON NICKEL OVERALL.

PART NO: 21-013-00XXX-1

└─ NO. of contacts

Pin	A	B	C	D	Pin	A	B	C	D
4	6.80	1.50	4.10	3.40	46	27.80	22.50	25.10	24.40
5	7.30	2.00	4.60	3.90	47	28.30	23.00	25.60	24.90
6	7.80	2.50	5.10	4.40	48	28.80	23.50	26.10	25.40
7	8.30	3.00	5.60	4.90	49	29.30	24.00	26.60	25.90
8	8.80	3.50	6.10	5.40	50	29.80	24.50	27.10	26.40
9	9.30	4.00	6.60	5.90	51	30.30	25.00	27.60	26.90
10	9.80	4.50	7.10	6.40	52	30.80	25.50	28.10	27.40
11	10.30	5.00	7.60	6.90	53	31.30	26.00	28.60	27.90
12	10.80	5.50	8.10	7.40	54	31.80	26.50	29.10	28.40
13	11.30	6.00	8.60	7.90	55	32.30	27.00	29.60	28.90
14	11.80	6.50	9.10	8.40	56	32.80	27.50	30.10	29.40
15	12.30	7.00	9.60	8.90	57	33.30	28.00	30.60	29.90
16	12.80	7.50	10.10	9.40	58	33.80	28.50	31.10	30.40
17	13.30	8.00	10.60	9.90	59	34.30	29.00	31.60	30.90
18	13.80	8.50	11.10	10.40	60	34.80	29.50	32.10	31.40
19	14.30	9.00	11.60	10.90	61	35.30	30.00	32.60	31.90
20	14.80	9.50	12.10	11.40	62	35.80	30.50	33.10	32.40
21	15.30	10.00	12.60	11.90	63	36.30	31.00	33.60	32.90
22	15.80	10.50	13.10	12.40	64	36.80	31.50	34.10	33.40
23	16.30	11.00	13.60	12.90	65	37.30	32.00	34.60	33.90
24	16.80	11.50	14.10	13.40	66	37.80	32.50	35.10	34.40
25	17.30	12.00	14.60	13.90	67	38.30	33.00	35.60	34.90
26	17.80	12.50	15.10	14.40	68	38.80	33.50	36.10	35.40
27	18.30	13.00	15.60	14.90	69	39.30	34.00	36.60	35.90
28	18.80	13.50	16.10	15.40	70	39.80	34.50	37.10	36.40
29	19.30	14.00	16.60	15.90	71	40.30	35.00	37.60	36.90
30	19.80	14.50	17.10	16.40	72	40.80	35.50	38.10	37.40
31	20.30	15.00	17.60	16.90	73	41.30	36.00	38.60	37.90
32	20.80	15.50	18.10	17.40	74	41.80	36.50	39.10	38.40
33	21.30	16.00	18.60	17.90	75	42.30	37.00	39.60	38.90
34	21.80	16.50	19.10	18.40	76	42.80	37.50	40.10	39.40
35	22.30	17.00	19.60	18.90	77	43.30	38.00	40.60	39.90
36	22.80	17.50	20.10	19.40	78	43.80	38.50	41.10	40.40
37	23.30	18.00	20.60	19.90	79	44.30	39.00	41.60	40.90
38	23.80	18.50	21.10	20.40	80	44.80	39.50	42.10	41.40
39	24.30	19.00	21.60	20.90					
40	24.80	19.50	22.10	21.40					
41	25.30	20.00	22.60	21.90					
42	25.80	20.50	23.10	22.40					
43	26.30	21.00	23.60	22.90					
44	26.80	21.50	24.10	23.40					
45	27.30	22.00	24.60	23.90					

-TOLERANCES- UNLESS OTHERWISE SPECIFIED 公差		深圳市钜硕电子有限公司			
				TITLE: 0.5mm PITCH EASY	
				产品名稱: ON FPC/FFC CONN	
X.X :±0.30		X.X° :±5'		DWG NO: AFC06-S**FCA-00	
X.XX :±0.20		X.XX° :±2'		产品料號: DATE SCALE UNIT PAGE	
X.XXX :±0.10		X.XXX° :±1'		2011/1/4 1:1 mm 1/1	
		APPD: Nick			
		CHECK: SC.Zhang			
		校对: T.P.T			
		DRAW: 绘图			

A	NEW DWG	110111	H.P.T	2011/1/4
REV	DESCRIPTION	ECN.NO	BY	DATE

本产品需符合  RoHS  SONY00259  其他  
※禁止使用本公司所禁用有毒物质