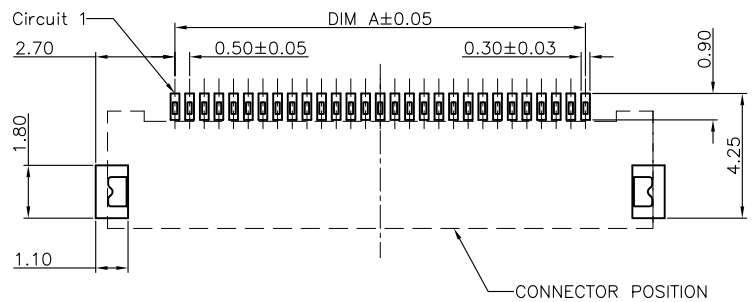
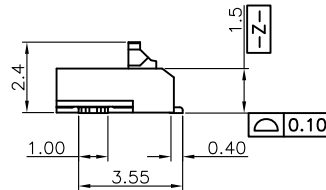
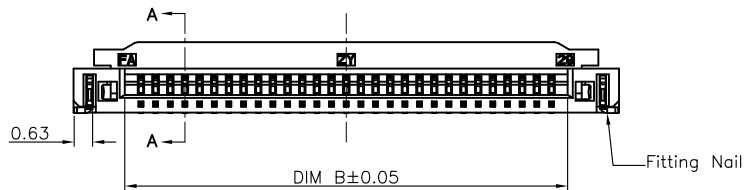
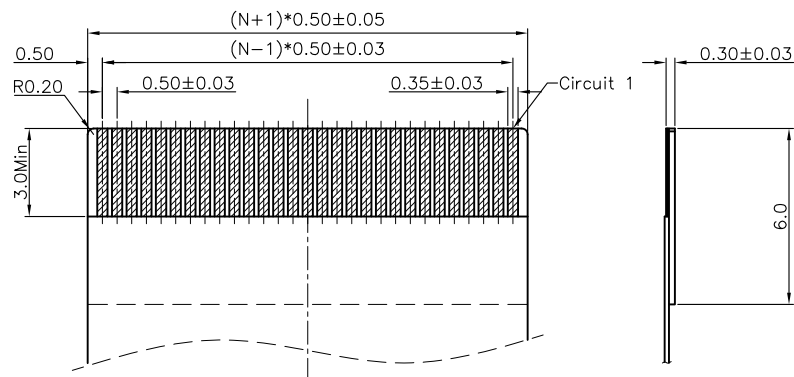


SECTION A-A  
SCALE 1:1



RECOMMENDED P.C.B. PATTERN LAYOUT



RECOMMENDED FPC/FFC DIMENSION

- Note:
- Material:
    - Housing: thermoplastic high temp.UL94V-0; Color: natural.
    - Latch: thermoplastic high temp.UL94V-0; Color: black.
    - Terminal: copper alloy.
    - Fitting Nail: copper alloy.
  - Finish:
    - Terminal:
      - Underplating: Au/matt Tin overall.
    - Fitting Nail:
      - Underplating: matt Tin overall.
  - Product must comply HF RoHS specification.
  - Product No:

AFC31-S \*\* F \* \* - \*\*

CKTS CONTACTS TYPE F:Lower

PLATING  
1:Gold flash 1u"  
2:Gold flash 2u"  
3:Gold flash 3u"  
B:Bright-Tin 90-120u"  
C:Matt-Tin 90-120u"

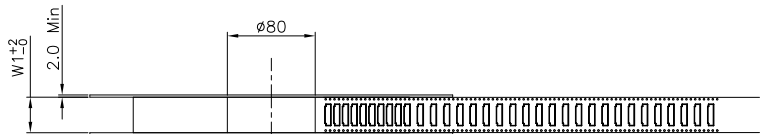
REMARKS  
HF:Halogen free

PACKING  
A:Tape&Reel  
C:Tube

CKTS	DIM A	DIM B	DIM C	DIM D
4	1.50	2.60	4.70	6.10
5	2.00	3.10	5.20	6.60
6	2.50	3.60	5.70	7.10
7	3.00	4.10	6.20	7.60
8	3.50	4.60	6.70	8.10
9	4.00	5.10	7.20	8.60
10	4.50	5.60	7.70	9.10
11	5.00	6.10	8.20	9.60
12	5.50	6.60	8.70	10.10
13	6.00	7.10	9.20	10.60
14	6.50	7.60	9.70	11.10
15	7.00	8.10	10.20	11.60
16	7.50	8.60	10.70	12.10
17	8.00	9.10	11.20	12.60
18	8.50	9.60	11.70	13.10
19	9.00	10.10	12.20	13.60
20	9.50	10.60	12.70	14.10
21	10.00	11.10	13.20	14.60
22	10.50	11.60	13.70	15.10
23	11.00	12.10	14.20	15.60
24	11.50	12.60	14.70	16.10
25	12.00	13.10	15.20	16.60
26	12.50	13.60	15.70	17.10
27	13.00	14.10	16.20	17.60
28	13.50	14.60	16.70	18.10
29	14.00	15.10	17.20	18.60
30	14.50	15.60	17.70	19.10
31	15.00	16.10	18.20	19.60
32	15.50	16.60	18.70	20.10
33	16.00	17.10	19.20	20.60
34	16.50	17.60	19.70	21.10
35	17.00	18.10	20.20	21.60
36	17.50	18.60	20.70	22.10
37	18.00	19.10	21.20	22.60
38	18.50	19.60	21.70	23.10
39	19.00	20.10	22.20	23.60
40	19.50	20.60	22.70	24.10
41	20.00	21.10	23.20	24.60
42	20.50	21.60	23.70	25.10
43	21.00	22.10	24.20	25.60
44	21.50	22.60	24.70	26.10
45	22.00	23.10	25.20	26.60
46	22.50	23.60	25.70	27.10
47	23.00	24.10	26.20	27.60
48	23.50	24.60	26.70	28.10
49	24.00	25.10	27.20	28.60
50	24.50	25.60	27.70	29.10
51	25.00	26.10	28.20	29.60
52	25.50	26.60	28.70	30.10
53	26.00	27.10	29.20	30.60
54	26.50	27.60	29.70	31.10
55	27.00	28.10	30.20	31.60
56	27.50	28.60	30.70	32.10
57	28.00	29.10	31.20	32.60
58	28.50	29.60	31.70	33.10
59	29.00	30.10	32.20	33.60
60	29.50	30.60	32.70	34.10

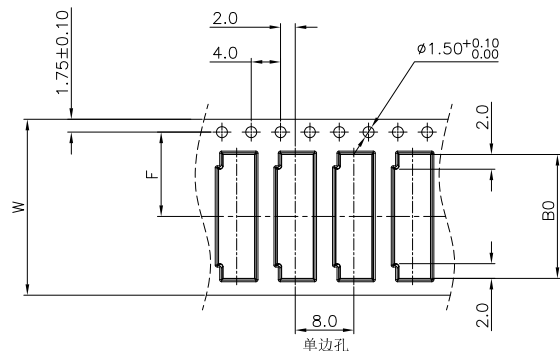
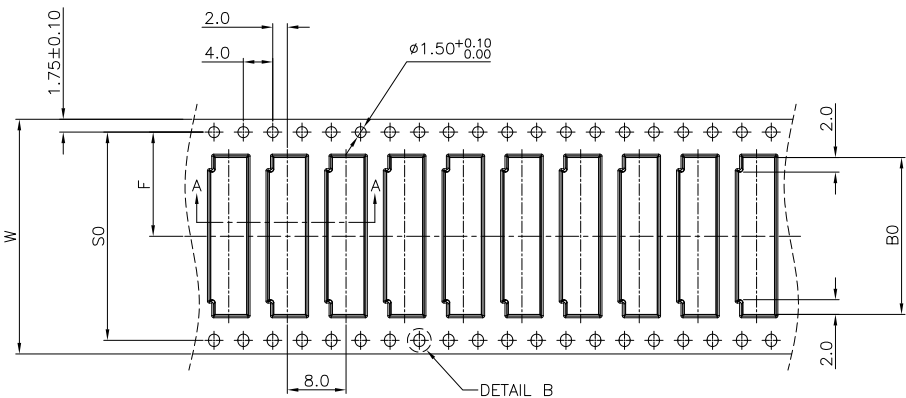
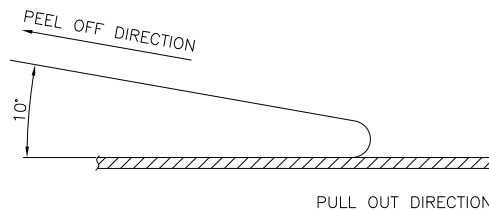
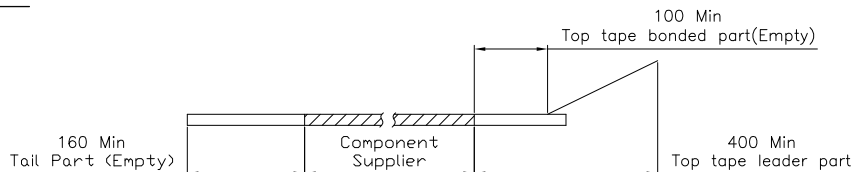
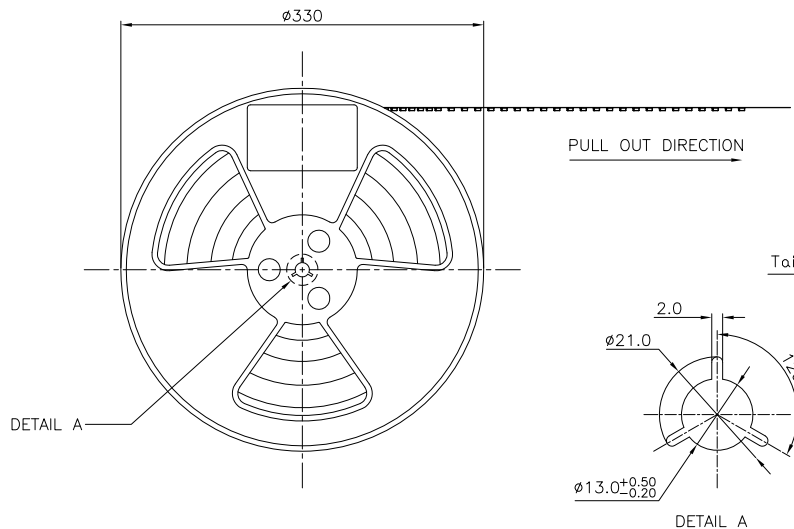
CUSTOMER DRAWING		深圳市钜硕电子有限公司 SHENZHEN JUSHUO ELECTRONIC CO.,LTD	
Tolerance Unspecified (未注公差)	Size(图幅): A4	Product Name(产品名称): 0.5Pitch H=1.5 FPC Back=Flip RA Type1 SMT CONN	
0.0 ±0.15 0° ±5°	Unit(单位): MM	Product No(产品料号): AFC31-S**F***-**	
0.00 ±0.10 0° ±3°	Scale(比例): 1:1	Designer(设计): Allan	Checked(审核):
0.000 ±0.05 0° ±1°	Page(页数): 1 OF 1	Approved(核准):	
Project View (投影视角)	Rev(版本): A		

Rev	Change Description	Date	Revisor
A	初版发行	2013/01/23	Allan
版本	变更内容	日期	制/修订人

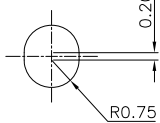


NOTES:

1. 10 SPROCKET HOLE PITCH CUMULATIVE TOLERANCE.±0.20mm
2. CARRIER CAMBER NOT TO EXCEED 1mm IN 250mm.
3. ALL DIMENSIONS MEET EIA-481-C REQUIREMENTS.
4. MATERIAL: BLACK ANTI-STATIC POLYSTYRENE.
5. THICKNESS: 0.35 ± 0.05 mm.
6. PACKING LENGTH PER 13" REEL: 24.60METERS.
7. COMPONENT LOAD PER 13" REEL: 3000PCS
8. PEELING OFF FORCE OF TOP TAPE 0.1N~0.7N(10.2gf~71.4gf).



SECTION A-A  
SCALE 1:1



DETAIL B  
SCALE 5:1

2.0	A0方向限位尺寸4.10mm改为4.30mm	2013/10/31	Allan
1.0	初版发行	2013/01/25	Allan
Rev 版本	Change Description 变更内容	Date 日期	Revisor 制/修订人

CLASSIFICATION DIMENSION (尺寸类别): FAT (首次检验): ⊗To ⊗ ■ MARK IS MAJOR DIM (重点尺寸标示) ⊗ MARK IS CRITICAL DIM (Cpk&Cp标示)	
Tolerance Unspecified (未注公差)	Size (图幅): A4
0.0 ±0.10 0° ±3°	Unit (单位): MM
0.00 ±0.05 0° ±2°	Scale (比例): 1:1
0.000 ±0.02 0° ±1°	Page (页数): 1 OF 1
Project View (投影视角)	Rev (版本): 2.0

深圳市钜硕电子有限公司  
SHENZHEN JUSHUO ELECTRONIC CO.,LTD

Product Name (产品名称): 0.5Pitch H=1.5 FPC 后压卧式SMT型. 载带	
Product No (产品料号): AFC31-S***F***	
Drawing No (图面编号): DNE00063-1	Date (日期): 2013/10/31
Designer (设计): Allan	Checked (审核): Approved (核准):

01	0.00	0.00	0.00	0.00	0.00
02	0.00	0.00	0.00	0.00	0.00
03	0.00	0.00	0.00	0.00	0.00
04	0.00	0.00	0.00	0.00	0.00
05	0.00	0.00	0.00	0.00	0.00
06	0.00	0.00	0.00	0.00	0.00
07	0.00	0.00	0.00	0.00	0.00
08	0.00	0.00	0.00	0.00	0.00
09	0.00	0.00	0.00	0.00	0.00
10	0.00	0.00	0.00	0.00	0.00
11	0.00	0.00	0.00	0.00	0.00
12	0.00	0.00	0.00	0.00	0.00
13	0.00	0.00	0.00	0.00	0.00
14	0.00	0.00	0.00	0.00	0.00
15	0.00	0.00	0.00	0.00	0.00
16	0.00	0.00	0.00	0.00	0.00
17	0.00	0.00	0.00	0.00	0.00
18	0.00	0.00	0.00	0.00	0.00
19	0.00	0.00	0.00	0.00	0.00
20	0.00	0.00	0.00	0.00	0.00
21	0.00	0.00	0.00	0.00	0.00
22	0.00	0.00	0.00	0.00	0.00
23	0.00	0.00	0.00	0.00	0.00
24	0.00	0.00	0.00	0.00	0.00
25	0.00	0.00	0.00	0.00	0.00
26	0.00	0.00	0.00	0.00	0.00
27	0.00	0.00	0.00	0.00	0.00
28	0.00	0.00	0.00	0.00	0.00
29	0.00	0.00	0.00	0.00	0.00
30	0.00	0.00	0.00	0.00	0.00
31	0.00	0.00	0.00	0.00	0.00
32	0.00	0.00	0.00	0.00	0.00
33	0.00	0.00	0.00	0.00	0.00
34	0.00	0.00	0.00	0.00	0.00
35	0.00	0.00	0.00	0.00	0.00
36	0.00	0.00	0.00	0.00	0.00
37	0.00	0.00	0.00	0.00	0.00
38	0.00	0.00	0.00	0.00	0.00
39	0.00	0.00	0.00	0.00	0.00
40	0.00	0.00	0.00	0.00	0.00
41	0.00	0.00	0.00	0.00	0.00
42	0.00	0.00	0.00	0.00	0.00
43	0.00	0.00	0.00	0.00	0.00
44	0.00	0.00	0.00	0.00	0.00
45	0.00	0.00	0.00	0.00	0.00
46	0.00	0.00	0.00	0.00	0.00
47	0.00	0.00	0.00	0.00	0.00
48	0.00	0.00	0.00	0.00	0.00
49	0.00	0.00	0.00	0.00	0.00
50	0.00	0.00	0.00	0.00	0.00